

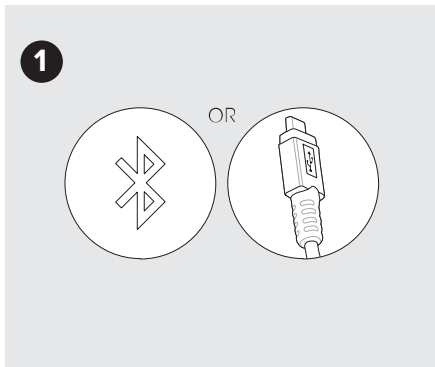
A large, stylized, light gray graphic that resembles a hand or a stylized letter 'Z' is positioned in the background, partially overlapping the text.

SP20/SM20
Quick Start Guide

Scanning Made Easy

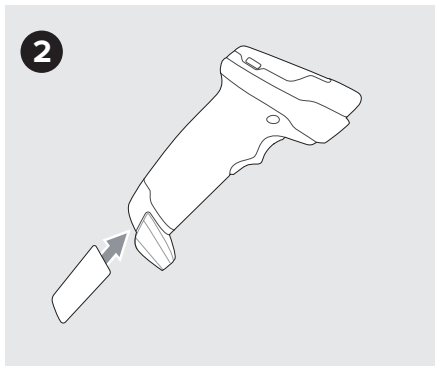
**This guide applies to model numbers SP2002
and SM2002**

Easy Setup



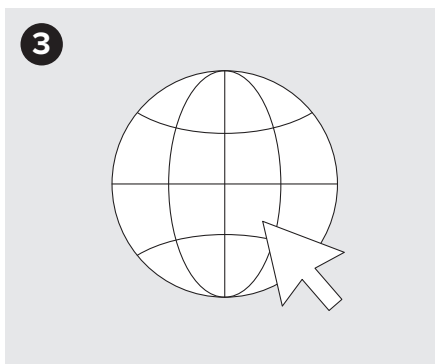
Connect your Scanner

Connect your scanner using a supported cable or Bluetooth connection.



Insert the Battery

If applicable, insert the battery if it is not already pre-installed. If your scanner supports a Bluetooth connection, see directions on Page 5.

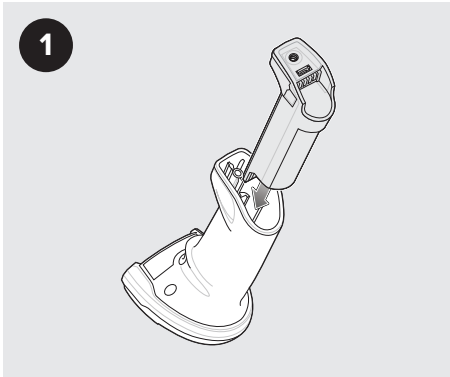


Complete your setup

Scan the QR Code on your Device, or visit zebra.com/scannersetup to quickly and easily setup your scanner. You can also download the 123Scan Suite for powerful, advanced tools and configuration options.

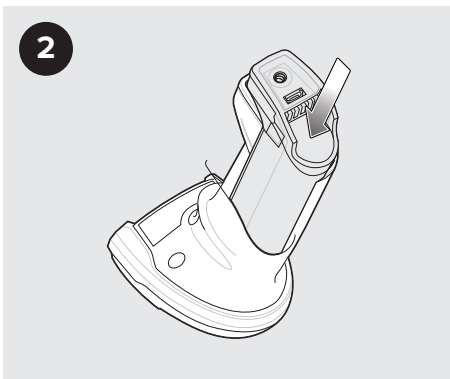
Inserting the Battery

(For Bluetooth models with battery packaged separately.)



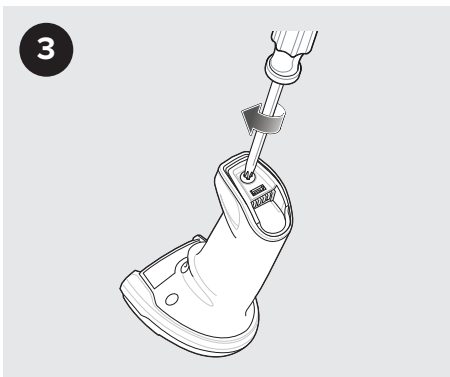
Insert Battery

Insert the battery into the battery compartment.



Push Battery

Ensure the battery is pushed down fully.

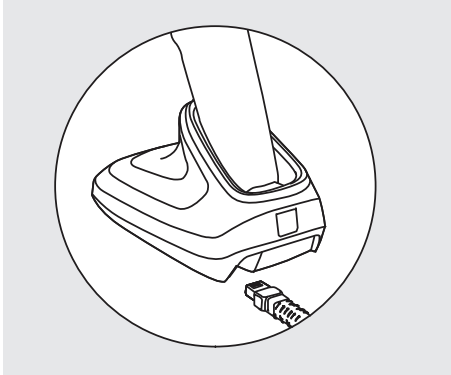


Screw to Tighten*

Turn the screw on the battery compartment clockwise to tighten. Do not over torque the screw.

*Certain products in our range are designed to be tool-free, eliminating the need of additional tools to secure the battery.

Bluetooth Connection (Optional)



Pairing With A Cradle

Connect your cradle with the supported cables. Then insert the scanner into the cradle or scan the cradle's pairing barcode.

Scanning into a PC Computer

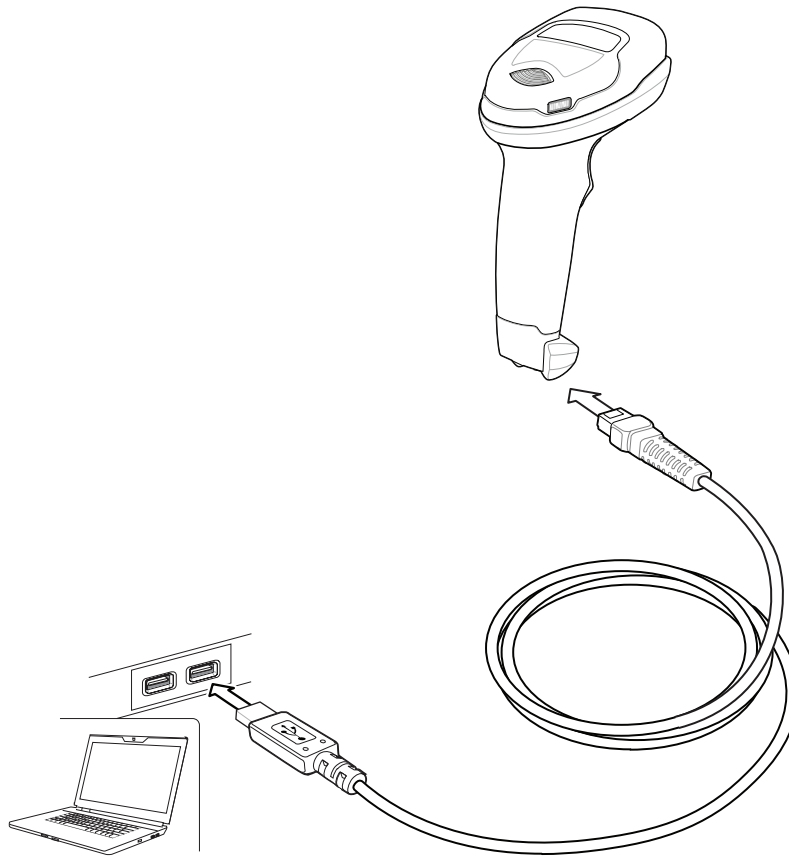
Ensure the cradle is connected to the PC via a USB cable. Pair the scanner to a cradle by inserting it into the cradle and wait for a pairing connection beep. If this fails, scan the 'Return to Factory Default' barcode on Page 7 of this guide and retry.

Your default communication output is HID keyboard. This means your scanner outputs data as if it was typed in via a keyboard.

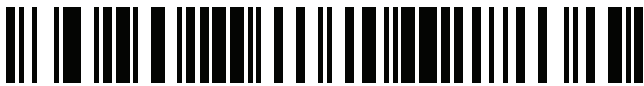
Scanning into a Tablet/Phone

Please download Zebra's Scan-to-Connect app at zebra.com/scantoconnect to pair a scanner to a tablet/phone over Bluetooth.

USB Connection*



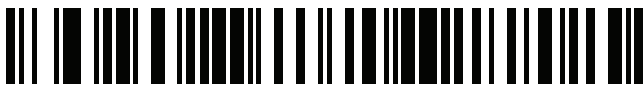
Scan one of the barcodes below:



USB KEYBOARD (HID)



IBM HAND-HELD USB



OPOS (IBM HAND-HELD WITH FULL DISABLED)

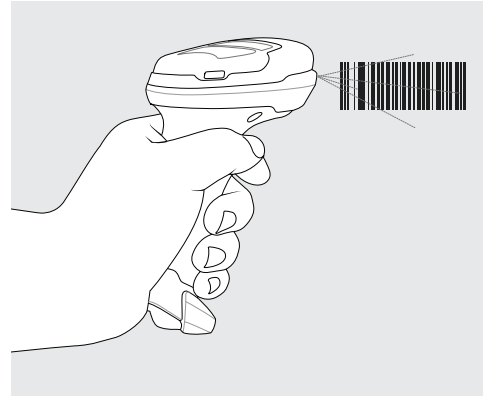


SYMBOL NATIVE API (SNAPI) WITH IMAGING

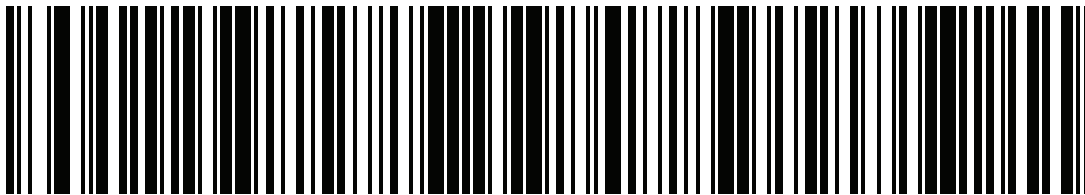
*Information on additional host types are provided in the Product Reference Guides.

Useful Barcodes

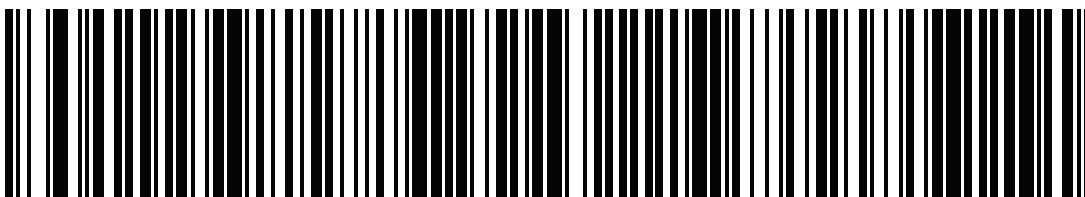
Use the barcodes below to quickly configure your scanner's settings.



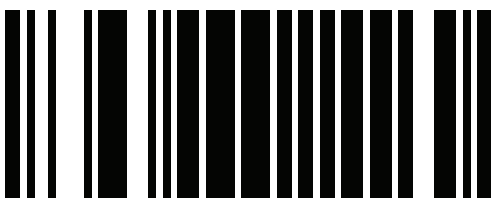
Commonly Used Barcodes



ADD A TAB KEY AFTER DATA



ADD AN ENTER KEY AFTER DATA (CARRIAGE RETURN/LINE FEED)



RETURN TO FACTORY DEFAULT

For guides, video tutorials, and helpful tips, contact the Zebra Global Support Site or visit zebra.com/scannersupport

For the complete Zebra hardware product warranty statement, visit zebra.com/warranty



ZEBRA and the stylized Zebra head are trademarks of Zebra Technologies Corp., registered in many jurisdictions worldwide. All other trademarks are the property of their respective owners.
©2025 Zebra Technologies Corp. and/or its affiliates. All rights reserved.