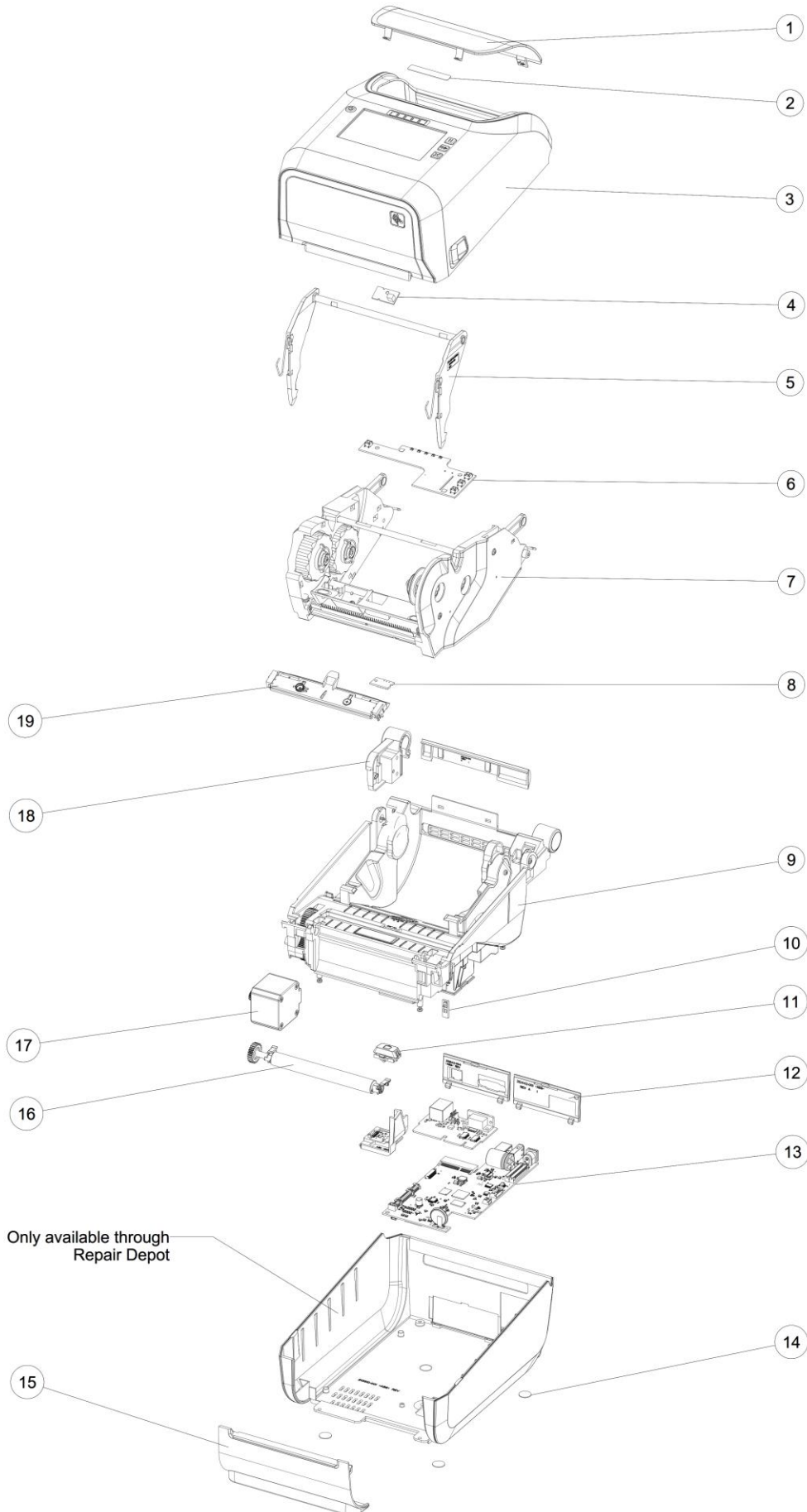


ZD621R RFID Thermal Transfer (203 & 300 DPI)



ZD621R RFID Thermal Transfer (203 & 300 DPI)

Item Number	Description	Part Number
1	Media Window	P1080383-200
2	Nameplate without LCD	P1112640-222
	Nameplate with LCD	P1112640-223
3	Cover Assembly with LCD (includes Media Window)	P1112640-500
4	Ribbon Out Sensor	P1112640-227
5	Latch Assembly	P1080383-207
6	Control Panel PCBA with LCD	P1112640-228
7	Ribbon Carriage	P1112640-229
8	Upper Media Sensor (Gap Sensor)	P1112640-207
9	Print Mechanism 203dpi	P1112640-501
	Print Mechanism 300dpi	P1112640-502
10	Cover Open Sensor	P1112640-244
11	Lower Media Sensor (Blackline Sensor)	P1112640-236
12	Rear Bezel for Serial/Ethernet port & WiFi Bezel (includes one of each)	P1112640-237
13	Main Logic Board USB, USB Host, Bluetooth, Modular Connectivity Slot for all countries except EMEA	P1112640-014
	Main Logic Board USB, USB Host, Bluetooth, Modular Connectivity Slot, the board included in this kit allows firmware downgrades to occur	P1112640-070
	Main Logic Board USB, USB Host, Bluetooth, Modular Connectivity Slot (EMEA ONLY)	P1112640-071
13A	Ethernet and Serial Module	P1112640-238
	WiFi 802.11ac Wireless Module for USA and Canada	P1112640-239A
	WiFi 802.11ac Wireless Module for Japan	P1112640-239B
	WiFi 802.11ac Wireless Module for all countries except USA, Canada and Japan	P1112640-239C
14	Rubber Feet (set of 4)	P1080383-021
15	Front Bezel, Standard	P1112640-245
16	Platen Roller 203dpi	P1112640-251
	Platen Roller 300dpi	P1112640-252
	Bearings for the platen roller, Left & Right (10 each)	P1080383-224
17	Motor Assembly	P1080383-221
18	Covers and Hinge for models with LCD	P1112640-201
	Covers and Hinge for models without LCD	P1080383-225
19	203 dpi Printhead	P1112640-240
	300 dpi Printhead	P1112640-241

ZD621R RFID Thermal Transfer (203 & 300 DPI)

Item Number	Description	Part Number
Not Shown	Upgrade Kit - Cutter, 4", Full Cut	P1112640-232
	Dispenser, Front Bezel	P1112640-233
	Media Core Adaptors, For 1.5", 2" & 3" diameter cores	P1080383-022
	Ribbon Core Adaptors used to accept 1 inch diameter ribbon cores (1 set)	P1080383-231
	203dpi Routine Maintenance, Includes 203dpi Printhead, 203dpi Platen Roller & 47362 Preventative Maintenance Kit (6 Presaturated Foam Tip Swabs)	P1112640-250
	Buttons for the Latch, 10 Left buttons and 10 Right buttons	P1080383-445
	Replacement RFID Cover (Radome) for the RFID board	P1112640-503
	Replacement RFID PCBA and Hardware (includes RFID cover)	P1112640-504
	Base Housing for the Battery (When upgrading to battery power functionality, also order the P1080383-603 battery)	P1080383-600
	Battery for Desktop Printers (When upgrading to battery power functionality, also order the P1080383-600 battery housing)	P1080383-603
	Adapter bracket that enables mounting a ZD621R model in the same location as an existing GX420t/GX430t model is currently mounted. Allows usage of the GK420t mounting hole pattern to mount a ZD621R.	P1080383-037
	Shipping Pack - Packaging for shipping the printer	P1112640-249
	Power Supply Unattached, 75W with US & Euro Cords	P1079903-026
	Power Supply Attached, 75W (power cord not included)	P1080383-234
	Power Cord, U.S. 120V IEC320C13 (set of 5)	105950-014
	Power Cord, Euro 220V IEC320C13 (set of 5)	105950-015
	Power Cord, U.K. 240V IEC320C13 (set of 5)	105950-030
	Power Cord, Australia 240V IEC320C13 (set of 5)	105950-029
	Power Cord, China 220V C13 (set of 5)	105950-078
	Power Cord, Japan 125V JAPAN C13 (set of 5)	105950-079
	Power Cord, 220V Argentina C13 (set of 5)	105950-080
	Power Cord, NBR 14136, Brazil (set of 5)	P1033401
	Power Cord, Taiwan, 125V, IEC320C13 (set of 5)	P1079903-035